

Textile fabrics — Burning behaviour — Determination of ease of ignition of vertically oriented specimens

The European Standard EN ISO 6940:2004 has the status of a
British Standard

ICS 13.220.40; 59.080.30

NO COPYING WITHOUT BSI PERMISSION EXCEPT AS PERMITTED BY COPYRIGHT LAW

BSI
British Standards

National foreword

This British Standard is the official English language version of EN ISO 6940:2004. It is identical with ISO 6940:2004. It supersedes BS EN ISO 6940:1995 which is withdrawn.

The UK participation in its preparation was entrusted to Technical Committee TCI/63, Textiles — Burning behaviour, which has the responsibility to:

- aid enquirers to understand the text;
- present to the responsible international/European committee any enquiries on the interpretation, or proposals for change, and keep the UK interests informed;
- monitor related international and European developments and promulgate them in the UK.

A list of organizations represented on this committee can be obtained on request to its secretary.

Cross-references

The British Standards which implement international or European publications referred to in this document may be found in the *BSI Catalogue* under the section entitled “International Standards Correspondence Index”, or by using the “Search” facility of the *BSI Electronic Catalogue* or of British Standards Online.

This publication does not purport to include all the necessary provisions of a contract. Users are responsible for its correct application.

Compliance with a British Standard does not of itself confer immunity from legal obligations.

Summary of pages

This document comprises a front cover, an inside front cover, the EN ISO title page, the EN ISO foreword page, the ISO title page, pages ii to v, a blank page, pages 1 to 14, an inside back cover and a back cover.

The BSI copyright notice displayed in this document indicates when the document was last issued.

Amendments issued since publication

Amd. No.	Date	Comments

This British Standard was published under the authority of the Standards Policy and Strategy Committee on 25 February 2004

© BSI 25 February 2004

ISBN 0 580 43495 8

English version

Textile fabrics - Burning behaviour - Determination of ease of
ignition of vertically oriented specimens (ISO 6940:2004)

Textiles - Comportement au feu - Détermination de la
facilité d'allumage d'éprouvettes orientées verticalement
(ISO 6940:2004)

Textilien - Brennverhalten - Bestimmung der
Entzündbarkeit vertikal angeordneter Proben (ISO
6940:2004)

This European Standard was approved by CEN on 16 January 2004.

CEN members are bound to comply with the CEN/CENELEC Internal Regulations which stipulate the conditions for giving this European Standard the status of a national standard without any alteration. Up-to-date lists and bibliographical references concerning such national standards may be obtained on application to the Central Secretariat or to any CEN member.

This European Standard exists in three official versions (English, French, German). A version in any other language made by translation under the responsibility of a CEN member into its own language and notified to the Central Secretariat has the same status as the official versions.

CEN members are the national standards bodies of Austria, Belgium, Cyprus, Czech Republic, Denmark, Estonia, Finland, France, Germany, Greece, Hungary, Iceland, Ireland, Italy, Latvia, Lithuania, Luxembourg, Malta, Netherlands, Norway, Poland, Portugal, Slovakia, Slovenia, Spain, Sweden, Switzerland and United Kingdom.



EUROPEAN COMMITTEE FOR STANDARDIZATION
COMITÉ EUROPÉEN DE NORMALISATION
EUROPÄISCHES KOMITEE FÜR NORMUNG

Management Centre: rue de Stassart, 36 B-1050 Brussels

Foreword

This document (EN ISO 6940:2004) has been prepared by Technical Committee ISO/TC 38 "Textiles" in collaboration with Technical Committee CEN/TC 248 "Textiles and textile products", the secretariat of which is held by BSI.

This European Standard shall be given the status of a national standard, either by publication of an identical text or by endorsement, at the latest by August 2004, and conflicting national standards shall be withdrawn at the latest by August 2004.

This document supersedes EN ISO 6940:1995.

According to the CEN/CENELEC Internal Regulations, the national standards organizations of the following countries are bound to implement this European Standard: Austria, Belgium, Cyprus, Czech Republic, Denmark, Estonia, Finland, France, Germany, Greece, Hungary, Iceland, Ireland, Italy, Latvia, Lithuania, Luxembourg, Malta, Netherlands, Norway, Poland, Portugal, Slovakia, Slovenia, Spain, Sweden, Switzerland and United Kingdom.

NOTE FROM CMC The foreword is susceptible to be amended on reception of the German language version. The confirmed or amended foreword, and when appropriate, the normative annex ZA for the references to international publications with their relevant European publications will be circulated with the German version.

Endorsement notice

The text of ISO 6940:2004 has been approved by CEN as EN ISO 6940:2004 without any modifications.

INTERNATIONAL
STANDARD

EN ISO 6940:2004

ISO
6940

Second edition
2004-02-01

**Textile fabrics — Burning behaviour —
Determination of ease of ignition of
vertically oriented specimens**

*Textiles — Comportement au feu — Détermination de la facilité
d'allumage d'éprouvettes orientées verticalement*



Reference number
ISO 6940:2004(E)

Contents		Page
1	Scope	1
2	Normative references	1
3	Terms and definitions	1
4	Principle	2
5	Apparatus	2
6	Cautionary measures	3
7	Sampling	3
8	Conditioning and testing atmosphere	5
9	Setting up the apparatus	7
10	Test procedure	10
11	Calculation of the mean ignition time	11
12	Precision	11
13	Test report	11
	Annex A (normative) Description and construction of the burner	12
	Annex B (informative) Calculation of mean ignition time — worked example	13
	Annex C (informative) Experimental techniques	14

Foreword

ISO (the International Organization for Standardization) is a worldwide federation of national standards bodies (ISO member bodies). The work of preparing International Standards is normally carried out through ISO technical committees. Each member body interested in a subject for which a technical committee has been established has the right to be represented on that committee. International organizations, governmental and non-governmental, in liaison with ISO, also take part in the work. ISO collaborates closely with the International Electrotechnical Commission (IEC) on all matters of electrotechnical standardization.

International Standards are drafted in accordance with the rules given in the ISO/IEC Directives, Part 2.

The main task of technical committees is to prepare International Standards. Draft International Standards adopted by the technical committees are circulated to the member bodies for voting. Publication as an International Standard requires approval by at least 75 % of the member bodies casting a vote.

Attention is drawn to the possibility that some of the elements of this document may be the subject of patent rights. ISO shall not be held responsible for identifying any or all such patent rights.

ISO 6940 was prepared by Technical Committee ISO/TC 38, *Textiles*, Subcommittee SC 19, *Burning behaviour of textiles and textile products*.

This second edition cancels and replaces the first edition (ISO 6940:1984), which has been technically revised. It also incorporates the Amendment ISO 6940:1984/Amd.1:1993.

Introduction

This method is one of two closely related methods of test for the inflammability of textile fabrics. It determines the ease of ignition, as defined in ISO 4880; the other method measures flame spread time (see ISO 6941).

blank

Textile fabrics — Burning behaviour — Determination of ease of ignition of vertically oriented specimens

1 Scope

This International Standard specifies a method for the measurement of ease of ignition of vertically oriented textile fabrics and industrial products in the form of single or multi-component fabrics (coated, quilted, multilayered, sandwich constructions, and similar combinations), when subjected to a small, defined flame.

This method assesses the properties of textile fabrics in response to flame contact under controlled conditions. Results may not apply to situations where there is restricted air supply or exposure to large sources of intense heat.

The influence of seams on the behaviour of fabrics can be determined by this method, the seam being positioned within the test specimen so as to be subjected to the test flame. Whenever practicable, trimmings should be tested as part of the fabric assembly on which they are, or will be, used.

2 Normative references

The following referenced documents are indispensable for the application of this document. For dated references, only the edition cited applies. For undated references, the latest edition of the referenced document (including any amendments) applies.

ISO 4880, *Burning behaviour of textiles and textile products — Vocabulary*

ISO 6941, *Textile fabrics — Burning behaviour — Measurement of flame spread properties of vertically oriented specimens*

3 Terms and definitions

For the purposes of this document, the following terms and definitions apply.

3.1

flame application time

time for which the ignition flame is applied to the test specimen

3.2

afterflame time

duration of flame

length of time for which a material continues to flame under specified test conditions, after the ignition source has been removed

NOTE Afterflame time is measured to the nearest second and afterflame times of less than 1,0 s should be recorded as zero.

3.3

ignition

initiation of combustion

3.4

sustained combustion

flaming of the specimen which gives an afterflame time of 5 s or more or which reaches the top or vertical edges in less than 5 s

3.5

minimum ignition time

minimum time of exposure of a material to an ignition source to obtain sustained combustion under specified test conditions

4 Principle

A defined flame from a specified burner is applied to the surface or bottom edge of textile specimens which are vertically oriented.

The mean ignition time is determined as the weighted mean of the measured flame application times to obtain ignition of the specimens.

5 Apparatus

5.1 Mounting frame, constructed to a design capable of holding the gas burner (5.2, see Figure 1) and the test specimen holder (5.3, see Figure 2) in the specified relative orientation (see Figure 3).

5.2 Gas burner, as described in Annex A, capable of being moved from a standby position, where the tip of the burner is at least 75 mm from the test specimen, to either the horizontal or inclined operating position (see Figure 3).

5.3 Specimen holder, consisting of a rectangular metal frame having a specimen support pin at each corner of a rectangle of length 190 mm by width 70 mm (see Figure 2). The pins for supporting the specimen have a maximum diameter of 2 mm and a length of at least 26 mm.

NOTE Longer pins may be needed for mounting thick or multilayer specimens.

For the purpose of locating the specimen in a plane at least 20 mm away from the frame (see 9.1.1 and 9.2.1), a spacer stub of 2 mm diameter and a length of at least 20 mm shall be positioned adjacent to each of the four pins.

5.4 Template, flat and rigid, made of a suitable material and a size corresponding to the size of the specimen (200 mm × 80 mm). Holes approximately 4 mm in diameter are drilled in each corner of the template and positioned so that the distances between the centres of the holes correspond to the distances between the pins on the specimen holder (see Figure 2). The holes should be located equidistant about the vertical centreline of the template.

5.5 Gas, commercial grade propane or butane or butane/propane mixtures.

NOTE Commercial grade propane is preferred but other gases may be used.

5.6 Timing devices

5.6.1 A timing device to control and measure the flame application time, which can be set at 1 s and adjusted at 1 s intervals to an accuracy of 0,2 s or better.

5.6.2 Three timing devices reading to 0,2 s or better are required to measure the afterflame time. This device is started, preferably automatically, at the instant of test flame termination or removal, and is stopped manually.

6 Cautionary measures

6.1 Construction of testing equipment

Some products of combustion are corrosive. The equipment shall be constructed of material that will not be adversely affected by the fumes.

6.2 Location of test apparatus

The volume of air surrounding the test location shall not have any influence on testing. Where an open-fronted cabinet is used for the test, provision shall be made to allow the specimen to be mounted at least 300 mm from any wall.

6.3 Health and safety of test operators

Burning of materials may produce smoke and toxic gases that can affect the health of operators. Between tests, the atmosphere of the testing location, which shall be of adequate dimensions to avoid endangering the health of operators, shall be cleared of smoke and fumes by an extractor fan or other means of ventilation (see 6.2).

NOTE Smoke and fume emission may be subject to national regulations concerning atmospheric pollution control.

7 Sampling

7.1 Number of specimens

Mark out a set of twelve test specimens, using the template (5.4), to allow for at least five instances of ignition and five instances of non-ignition to occur.

Specimens should normally be tested with the length direction vertical and the outer face towards the igniting flame. If the test material is non-homogeneous and preliminary testing indicates dissimilar inflammability characteristics, length and width specimens should be tested separately. For surface ignition, where the two surfaces of the sample are visually dissimilar and preliminary testing indicates dissimilar inflammability characteristics, each surface shall be tested and the results reported separately.

An iterative procedure is used and the exact number of specimens cannot be stated. A minimum of 10 specimens is needed for each orientation. An extra test specimen is required for the setting-up procedure (see 9.1 and 9.2).

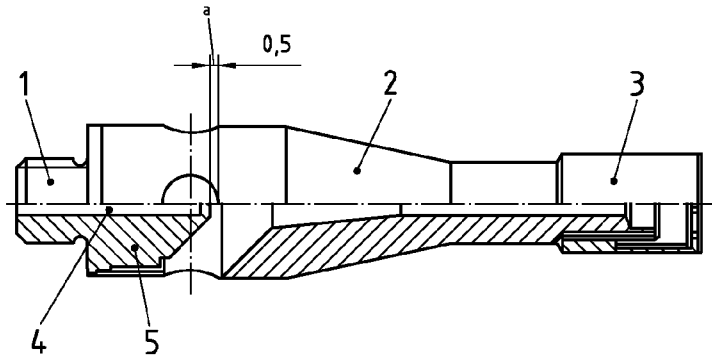
7.2 Specimen holder pin location marks

Mark the position through which the pins on the specimen holder must pass by means of the holes in the template (5.4).

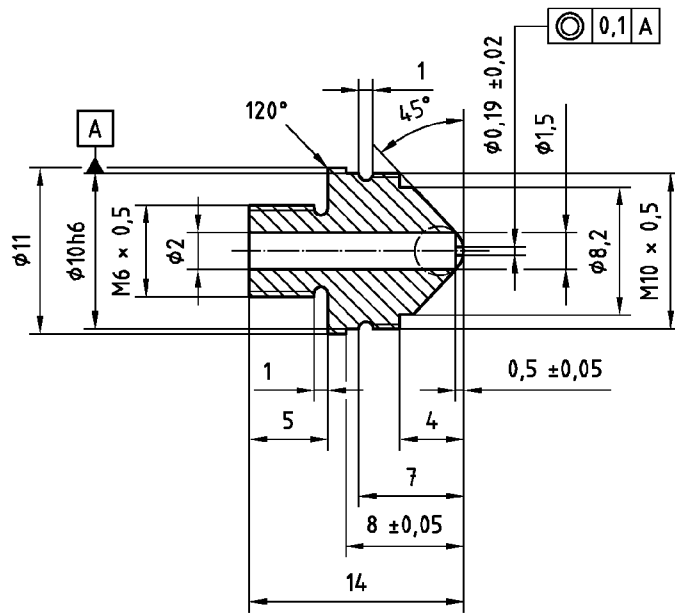
NOTE Where the fabric is of open construction (e.g., scrim, gauze), small pieces of adhesive tape may be affixed to the fabric at the pin sites and the position marked on the tape.

7.3 Test specimen size

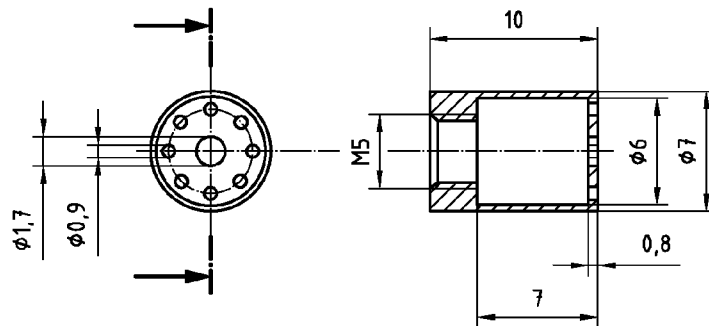
Cut out specimens $(200 \text{ mm} \pm 2 \text{ mm}) \times (80 \text{ mm} \pm 2 \text{ mm})$.



a) Gas burner arrangement



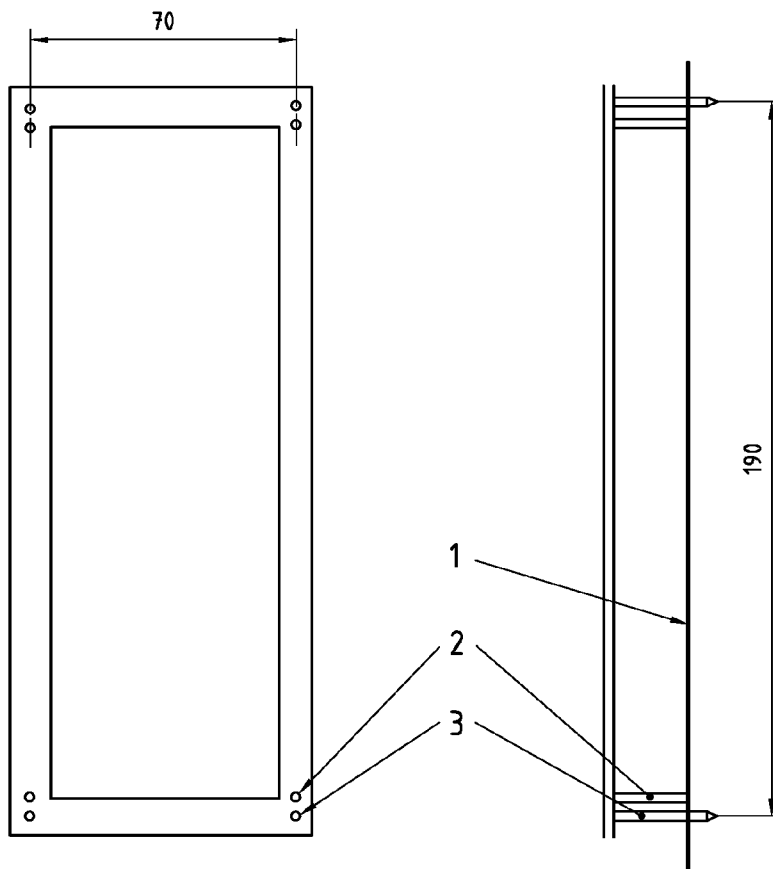
b) Gas jet



c) Flame stabilizer

Figure 1 — Gas burner

Dimensions in millimetres



Key

- 1 test specimen
- 2 spacer stub
- 3 mounting pin

Figure 2 — Test specimen holder

8.2 Testing atmosphere

The tests should be performed in an atmosphere having a temperature between 10 °C and 30 °C, a relative humidity of between 15 % and 80 %, and air movement less than 0,2 m/s at the commencement of the test of each specimen. Air movement shall be measured at the flame application position and shall not be influenced by mechanical devices operating during the test.

NOTE Draught shields may be required to maintain stability of the test flame.

9 Setting up the apparatus

9.1 Procedure A (surface ignition)

9.1.1 Mounting the specimen

Place the test specimen (see 7.1) on the pins of the test specimen holder, making certain that the pins pass through the points marked off from the template and that the back of the specimen is at least 20 mm away from the rectangular metal frame of the test specimen holder. Fit the test specimen holder to the mounting frame with the specimen vertical.

9.1.2 Operating position of the burner

Position the burner perpendicular to the surface of the test specimen such that the axis of the burner is 20 mm above the line of the lower pins and is aligned with the vertical centreline of the face of the test specimen. Ensure that the tip of the burner stabilizer is $17 \text{ mm} \pm 1 \text{ mm}$ from the surface of the test specimen [see Figure 3 a)].

9.1.3 Flame adjustment — Horizontal reach

Set the burner in the vertical standby position. Light the burner and preheat it for at least 2 min. Move the burner into the horizontal standby position and adjust the horizontal reach of the flame to $25 \text{ mm} \pm 2 \text{ mm}$, measured as the distance from the tip of the burner stabilizer to the extreme end of the yellow part of the flame when viewed against a dark background [see Figure 3 d)].

The flame reach shall be checked before testing each set of six specimens.

NOTE If the apparatus does not have a horizontal standby position, it will be necessary to remove the test specimen before carrying out the flame adjustment.

9.1.4 Flame position

Move the burner from the standby position to the horizontal operating position (see 9.1.2). Confirm that the flame impinges on the test specimen in the correct location [see Figure 3 a)].

9.2 Procedure B (bottom edge ignition)

9.2.1 Mounting of the test specimen

Place the test specimen (see 7.1) on the pins of the test specimen holder, making certain that the pins pass through the points marked off from the template and that the back of the specimen is at least 20 mm away from the rectangular metal frame of the test specimen holder. Fit the test specimen holder to the mounting frame with the specimen vertical.

9.2.2 Operating position of the burner

Position the burner in front of, but below, the test specimen such that it lies in a plane through the vertical centreline of the test specimen and perpendicular to its surface with the longitudinal axis inclined upwards at 30° to the vertical bottom edge of the test specimen. Ensure that the distance between the tip of the burner stabilizer and the bottom edge of the test specimen is 20 mm ± 1 mm measured as shown in Figure 3 b).

NOTE It may not be possible to obtain consistent results with fabrics that exhibit drape or sag. Surface ignition may be more appropriate for such fabrics.

9.2.3 Flame adjustment — vertical flame height

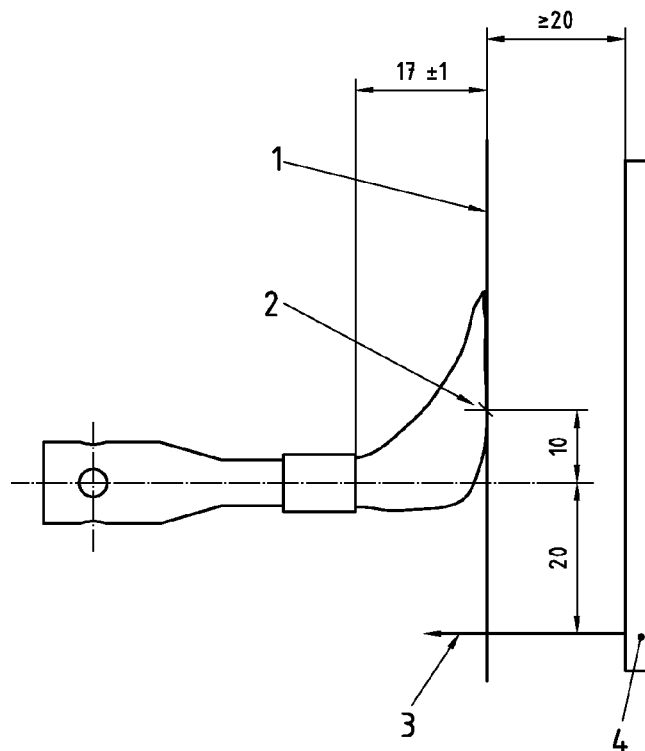
Set the burner in the vertical standby position. Light the burner and preheat it for at least 2 min. Adjust the flame height to 40 mm ± 2 mm, measured as the distance from the tip of the burner stabilizer to the extreme end of the yellow part of the flame when viewed against a dark background [see Figure 3 c)].

The flame height shall be checked before testing each set of six specimens.

9.2.4 Flame position

Move the burner from the standby position to the inclined operating position (see 9.2.2). Check that the bottom edge of the test specimen bisects the flame [see Figure 3 b)].

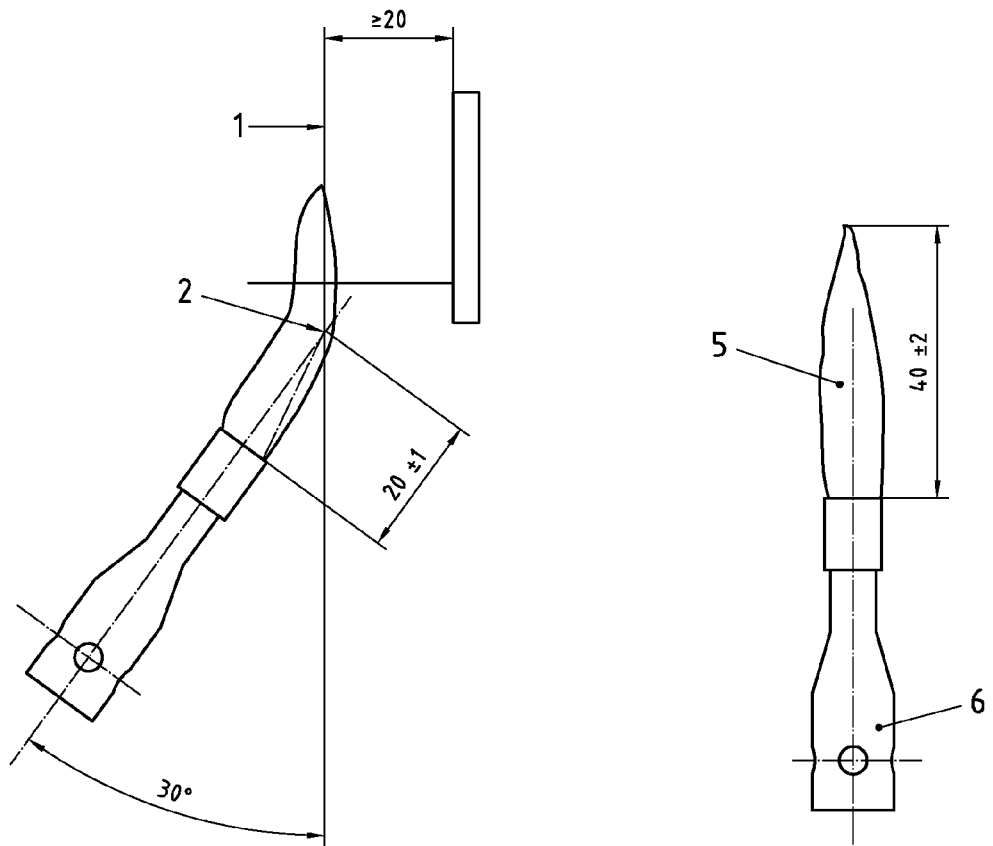
Dimensions in millimetres



a) Surface ignition

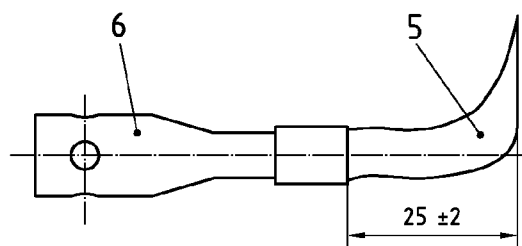
Figure 3 — Flame position and adjustment

Dimensions in millimetres



b) Bottom edge ignition

c) Vertical flame height



d) Horizontal reach of flame

Key

- 1 fabric specimen
- 2 nominal flame ignition point
- 3 pin
- 4 mounting frame
- 5 flame
- 6 burner

Figure 3 — Flame position and adjustment (continued)

10 Test procedure

10.1 Surface ignition

10.1.1 Set up the apparatus as described in 9.1.

10.1.2 Position a fresh test specimen in the specimen holder (see 9.1.1). Record whether the length or the width direction is vertical and which surface of the test specimen is exposed towards the test flame.

10.1.3 Apply the test flame for the flame application time that approximates to the shortest time to cause ignition.

NOTE Preliminary testing may be needed to determine this initial flame application time.

10.1.4 Record the flame application time and whether ignition has occurred.

10.1.5 Mount a fresh specimen in the same orientation in the specimen holder. If ignition has occurred with the previous specimen, apply the test flame for 1 s less; if ignition has not occurred with the previous specimen, apply the test flame for 1 s more. Record the flame application time and whether ignition has occurred.

If a specimen ignites with a 1 s flame application time, record non-ignition as "0" and retest with 1 s flame application time. If a specimen does not ignite with a 20 s flame application time, retest with a 20 s flame application time.

10.1.6 Continue testing in accordance with 10.1.5 until there are at least five instances of ignition and five instances of non-ignition. In the case of ignition at 1 s flame application time, continue until there are at least five instances of ignition at 1 s. In the case of non-ignition at 20 s flame application time, continue until there are at least five instances of non-ignition at 20 s.

NOTE The maximum flame application time used is 20 s. Materials that do not ignite with this flame application time will not normally ignite with higher flame application times. If necessary, testing can be extended above 20 s and this fact reported in the test report (see Clause 13).

10.2 Bottom edge ignition

10.2.1 Set up the apparatus as described in 9.2.

10.2.2 Position a fresh test specimen in the specimen holder (see 9.2.1). Record whether the length or the width direction is vertical and which surface of the test specimen is exposed towards the test flame.

10.2.3 Apply the test flame for a flame application time that approximates to the shortest time to cause ignition.

NOTE Preliminary testing may be needed to determine this initial flame application time.

10.2.4 Record the flame application time and whether ignition has occurred.

10.2.5 Mount a fresh specimen in the same orientation in the specimen holder. If ignition has occurred with the previous specimen, apply the test flame for 1 s less; if ignition has not occurred with the previous specimen, apply the test flame for 1 s more. Record the flame application time and whether ignition has occurred.

If a specimen ignites with a 1 s flame application time, record non-ignition as "0" and retest with 1 s flame application time. If a specimen does not ignite with a 20 s flame application time, retest with a 20 s flame application time.

10.2.6 Continue testing in accordance with 10.2.5 until there are at least five instances of ignition and five instances of non-ignition. In the case of ignition at 1 s flame application time, continue until there are at least five instances of ignition at 1 s. In the case of non-ignition at 20 s flame application time, continue until there are at least five instances of non-ignition at 20 s.

NOTE The maximum flame application time used is 20 s. Materials that do not ignite with this flame application time will not normally ignite with higher flame application times. If necessary, testing can be extended above 20 s and this fact reported in the test report (see Clause 13).

11 Calculation of the mean ignition time

Calculate the mean of the recorded times for ignition or non-ignition, whichever has occurred least. If the data relate to non-ignition, add 0,5 s; if it relates to ignition, subtract 0,5 s. Round this result to the nearest second and report as the mean ignition time for the orientation tested. See Annex B for a worked example.

12 Precision

These methods are used to determine the mean ignition time, which is the minimum flame application time required to produce sustained combustion under the specified test conditions, calculated to the nearest second. The precision of the methods is largely dependent on the type of material to be tested.

These methods are designed for use on inflammable materials, which sustain combustion when ignited. With this type of material, these methods are accurate to the nearest second. However, because the mean ignition time represents the boundary between non-ignition and ignition, both types of behaviour may be observed when the flame is applied for exactly the mean ignition time. See worked example in Annex B.

The methods are not suitable for flame-retardant materials, which give only very limited combustion rather than sustained combustion. The limited combustion of these materials is difficult to detect by these methods and flame-retardant materials are consistently recorded as "not ignited by 20 s". The flame-retardant properties of these fabrics may be determined by other test methods.

Certain intermediate materials give extremely variable results. These materials give sustained combustion only under certain limited circumstances, i.e., sustained combustion is only achieved within a narrow range of flame application times. This inconsistent behaviour is a property of the material and not a feature of the test methods.

13 Test report

The test report shall include the following information:

- a) a statement that the test was carried out in accordance with this International Standard and details of any deviation from it;
- b) gas used;
- c) date of test;
- d) ambient conditions of temperature and relative humidity in the area in which the test was carried out (see 8.2);
- e) technique used to attach fabrics that cannot be supported on pins (see 7.2);
- f) identification of fabric tested including details of any pretreatment, e.g. a cleansing procedure;
- g) which surface was exposed towards the flame, which fabric direction was vertical, and whether surface or bottom ignition was used;
- h) a table giving the flame application time and the observation of ignition or non-ignition for each test specimen;
- i) the mean ignition time calculated in accordance with Clause 11 for each orientation tested;
- j) if the fabric did not ignite with a 20 s flame ignition time (or higher maximum flame ignition time: see Notes to 10.1.6 and to 10.2.6).

Annex A
(normative)

Description and construction of the burner

A.1 Description

The burner provides a flame of suitable dimensions, the length of which can be adjusted from 10 mm to 60 mm.

A.2 Construction

The construction of the burner is shown in Figure 1 a). The burner consists of three parts.

a) Gas jet

The orifice diameter of the gas jet [see Figure 1 b)] shall be $0,19 \text{ mm} \pm 0,02 \text{ mm}$.

The orifice shall be drilled and, after drilling, all burrs shall be removed from both ends of the drilled hole without rounding the corners.

b) Burner tube

The burner tube [see Figure 1 d)] consists of four zones:

- 1) air chamber;
- 2) gas mixing zone;
- 3) diffusion zone;
- 4) gas outlet.

Within the air chamber, the burner tube has four air holes 4 mm in diameter for air inlets. The forward edge of the air holes is approximately level with the tip of the jet.

The diffusion zone is of conical shape and has the dimensions indicated in Figure 1 d). The burner has a bore of 1,7 mm inside diameter and outlet of 3,0 mm inside diameter.

c) Flame stabilizer

The flame stabilizer is as detailed in Figure 1 c). Details of the availability of the specified burner may be obtained from the Secretariat of ISO/TC38/SC19.

Annex B (informative)

Calculation of mean ignition time — worked example

B.1 Test results

The results of twelve tests in one orientation are given in Table B.1. In recording the results, a cross (X) has been used to indicate ignition and a zero (0) to indicate non-ignition.

Table B.1 — Test results

Test number	Flame application time s	Result	Test number	Flame application time s	Result
1	6	X	7	4	0
2	5	X	8	5	X
3	4	X	9	4	X
4	3	0	10	3	0
5	4	0	11	4	X
6	5	X	12	3	0

B.2 Calculations

Based on the test results, Table B.2 was prepared to summarize the cases of ignition and non-ignition occurring at each flame application time.

Table B.2 — Summary of results

Flame application time s	Number of cases of ignition	Number of cases of non-ignition
6	1	0
5	3	0
4	3	2
3	0	3

Table B.2 indicates that non-ignition occurred least (i.e. there were seven cases of ignition and five cases of non-ignition). Therefore the mean of the recorded times at which non-ignition occurred is calculated as follows:

$$\frac{(2 \times 4) + (3 \times 3)}{5} = 3,4 \text{ s}$$

The mean ignition time (mean of the recorded non-ignition times plus 0,5 s) is $3,4 + 0,5 = 3,9 \text{ s}$. Rounded to the nearest second, the mean ignition time is 4 s.

NOTE If ignition occurs least, the mean of the recorded times at which ignition occurs is calculated. 0,5 s is subtracted from the value obtained, and the resulting value, rounded to the nearest second, is reported as the mean ignition time.

Annex C (informative)

Experimental techniques

The quality of the experimental technique required will depend to a significant extent on the design of the equipment used; e.g., the less automatic the equipment, the greater will be the need for a skilled operator in order to obtain high precision.

Some practical points of a general nature are as follows.

- a) For reason of safety, the test equipment should be remote from the gas cylinder, which could be located outside the building. In this case, a manually-operated shut-off valve should be installed where the piping enters, inside the room housing the apparatus. On each occasion the equipment is used, time should be allowed for pure gas to reach the burner jet and provide a steady flame.
- b) The equipment should be installed and used so that it is not possible for smouldering particles, which may be carried away by the hot gases or may fall from the specimen, to come to rest on combustible materials. Protective clothing, fire extinguishers and alarm signals should be available to the operator.
- c) It is important to keep the apparatus clean in order to maintain safety.
- d) Some unfinished fabrics, such as single knit jersey knitted fabrics, are liable to curl. This tendency may be reduced by subsequent processing. It is desirable to test this type of fabric in its finished state.
- e) Residual material adhering to the pins after testing may be removed by scraping with a wire brush. Any smouldering material must be extinguished before placing it with other waste in a non-combustible container.
- f) Preliminary tests should be undertaken to establish if one surface of the fabric under examination is likely to produce different inflammability behaviour from the other. If they are different, both surfaces should be tested.

blank

BSI — British Standards Institution

BSI is the independent national body responsible for preparing British Standards. It presents the UK view on standards in Europe and at the international level. It is incorporated by Royal Charter.

Revisions

British Standards are updated by amendment or revision. Users of British Standards should make sure that they possess the latest amendments or editions.

It is the constant aim of BSI to improve the quality of our products and services. We would be grateful if anyone finding an inaccuracy or ambiguity while using this British Standard would inform the Secretary of the technical committee responsible, the identity of which can be found on the inside front cover. Tel: +44 (0)20 8996 9000. Fax: +44 (0)20 8996 7400.

BSI offers members an individual updating service called PLUS which ensures that subscribers automatically receive the latest editions of standards.

Buying standards

Orders for all BSI, international and foreign standards publications should be addressed to Customer Services. Tel: +44 (0)20 8996 9001. Fax: +44 (0)20 8996 7001. Email: orders@bsi-global.com. Standards are also available from the BSI website at <http://www.bsi-global.com>.

In response to orders for international standards, it is BSI policy to supply the BSI implementation of those that have been published as British Standards, unless otherwise requested.

Information on standards

BSI provides a wide range of information on national, European and international standards through its Library and its Technical Help to Exporters Service. Various BSI electronic information services are also available which give details on all its products and services. Contact the Information Centre. Tel: +44 (0)20 8996 7111. Fax: +44 (0)20 8996 7048. Email: info@bsi-global.com.

Subscribing members of BSI are kept up to date with standards developments and receive substantial discounts on the purchase price of standards. For details of these and other benefits contact Membership Administration. Tel: +44 (0)20 8996 7002. Fax: +44 (0)20 8996 7001. Email: membership@bsi-global.com.

Information regarding online access to British Standards via British Standards Online can be found at <http://www.bsi-global.com/bsonline>.

Further information about BSI is available on the BSI website at <http://www.bsi-global.com>.

Copyright

Copyright subsists in all BSI publications. BSI also holds the copyright, in the UK, of the publications of the international standardization bodies. Except as permitted under the Copyright, Designs and Patents Act 1988 no extract may be reproduced, stored in a retrieval system or transmitted in any form or by any means – electronic, photocopying, recording or otherwise – without prior written permission from BSI.

This does not preclude the free use, in the course of implementing the standard, of necessary details such as symbols, and size, type or grade designations. If these details are to be used for any other purpose than implementation then the prior written permission of BSI must be obtained.

Details and advice can be obtained from the Copyright & Licensing Manager. Tel: +44 (0)20 8996 7070. Fax: +44 (0)20 8996 7553. Email: copyright@bsi-global.com.

BSI
389 Chiswick High Road
London
W4 4AL